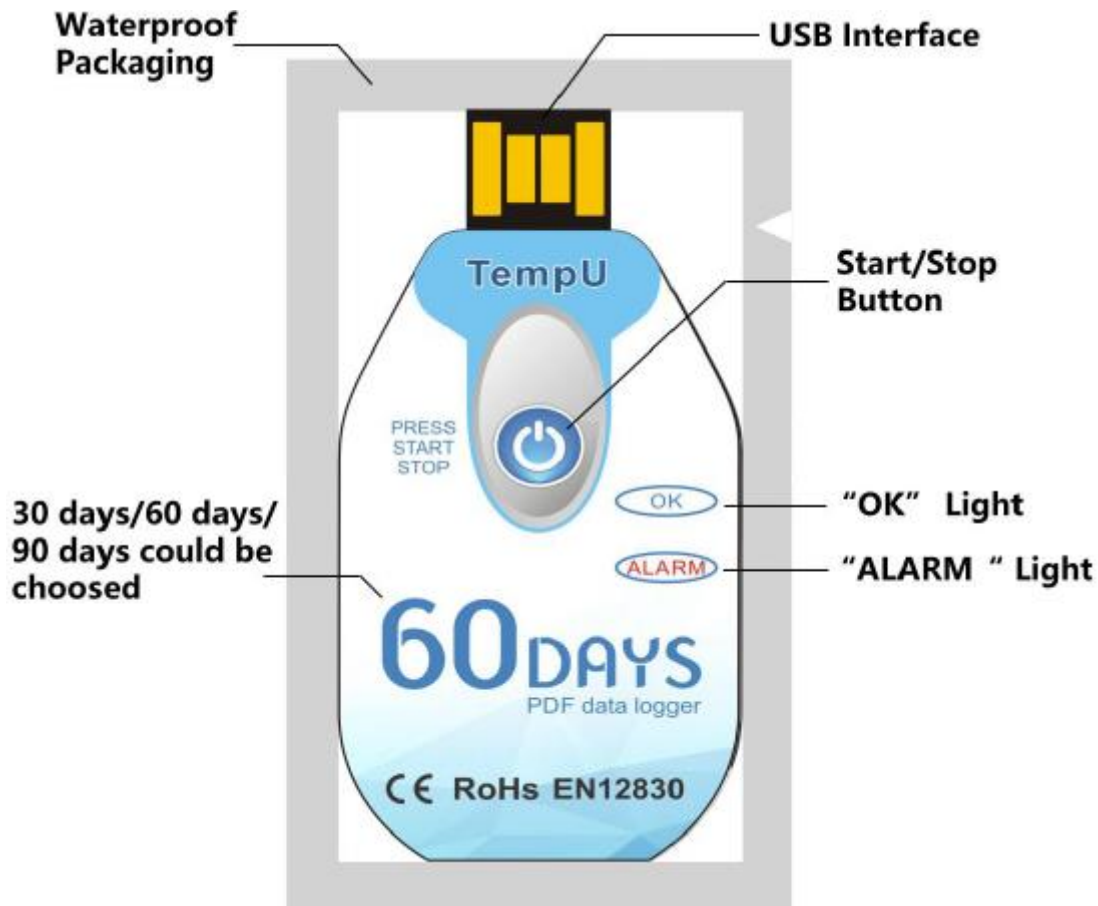


TempU02-LMS

Temperature Data Logger – PDF



1 Product introduction

The single-use, disposable PDF temperature Tempu02 is a simple, but accurate Cold Chain datalogger. This product is mainly used with food, pharmaceuticals, chemicals and other products in storage and transportation.

Simply connect the device via the USB interface to any laptop or desktop and the PDF report is generated automatically. No driver installation required.

Available in a 30 days-, a 60 days- and a 90 days version. Specials upon request.



2 Technical parameters

Measuring Range	-30°C ~ +60°C
Resolution	0,1°C
Accuracy	±0.5°C (-20°C~+40°C), ±1°C (elsewhere)
Data capacity	10000
Usage	Single Use - Disposable
Start Mode	Button Start
Recording Interval	5mins(30day) / 10mins(60day) / 15mins(90day)
Start Delay	30 minutes
Alarm Range	<2 °C ~ >8 °C
Alarm Type	The red LED will flasj evry 10 seconds
Storage	Recommended 20% to 60% RH, 10°C to 50°C
Form of Report	PDF format
Interface	USB 2.0
Protection Level	IP67 with sealbag
Dimensions	69mm x 33mm x 5mm
Weight	14 grams
Unit time	UTC (factory default)
Shelf life / battery	2 years / CR2032 button cell

3 Operating Instructions

- 1) Start recording → Do NOT remove the plastic seal-bag!
Press and Hold the start/stop button for more than 3 seconds.
Then the “OK” light will illuminate indicating that the device has been successfully activated.

Place the device with the items it needs to monitor asap, because it will start recording after 30 minutes and it needs time to cool down sufficiently.

- 2) While logging, every 10 seconds you will see an LED flashing: when nothing happened it will be the green “OK”, but if any alarm event(s) occurred it will be the red “ALARM”.

- 3) Stop recording

There are two ways for the logger to stop. Either when the memory is full, or to Press and Hold the start/stop button for more than 3 seconds.
The red “ALARM” light will brighten for 3 seconds, indicating a successful stopping.

- 4) Tear or cut off the plastic seal-bag and insert the logger into an available USB port on any computer. The “OK” light and the “ALARM” light will flash in turn while the PDF report is generated. Once done, the “OK” light will stay on and then (not sooner) you can remove the logger from the USB port.

Note: If the logger is stopped during the 30 minutes of start delay, there will be a PDF report but no data!



4 Operation indication:

Status check	Action	LED Indication
Inactivated	To check the logger is not activated, press the Start/ Stop button shortly (1 sec.)	When the ALARM and OK lights flash once at the same time, it means the logger has not been started yet.
Activated		The LED will automatically flash every 10 seconds. If “OK” light flashes, the data logger has never been out of range. If the “ALARM” light flashes, one or more alarm events have occurred.
Stopped	Not pressing the button	Both ALARM and OK lights do not flash
	Press the Start/Stop button shortly (1 sec.)	OK light flash (normal temperature)
		ALARM light flash (temperature data was out of range)

Start/Stop	LED Indication	Note
To start, press button and hold more than 3 seconds	OK light bright for 3 seconds	Start data logger
To stop, press button and hold more than 3 seconds	ALARM light bright for 3 seconds	Stop data logger

Notes:

1. Make sure the data logger has been started before placing it into the environment to use.
2. Don't place the data logger directly into a corrosive liquid.
3. Mind that in an area with the bright light, it will be less easy to see the flashing LEDs.
4. Do not direct heat the data logger, also not in a micro-wave
5. Do not (try and) charge the battery.
6. Please recycle or dispose the data logger in accordance with local laws and regulations.