



ECCENTRIC ROLLERS

ROLLER FIXTURES

Eccentric roller fixtures are self-tightening and ideal for flat samples. Starrett offers a variety of different roller fixtures with various diameters and sample thicknesses.

Eccentric rollers can be supplied with smooth, serrated and rubber surfaces.

Starrett can assist you in selecting the proper roller fixture for your sample.

OPERATION

Eccentric roller fixtures feature a design that helps ensure proper sample alignment and that promotes a correct sample break between the upper and lower test fixture. These fixtures feature an eccentric roller that holds the sample firmly in place during tensile movement.

Eccentric rollers are easy to use. The roller is held in place with a spring mechanism that lets you open and close the roller onto the sample under test. There are different sizes for different sample thicknesses. Rollers typically have a serrated face, though you may also use rubber-coated and smooth faced rollers.

TESTING STANDARDS

There are a variety of materials that can utilize eccentric roller samples. Contact your Starrett representative for more information about your specific testing method and the available test fixtures.

| Model No. | Load Capacity | | | Roller Diameter | Clamping Width | Type |
|--|---------------|-------|-------|-----------------|----------------|--------|
| | N | KGF | LBF | | | |
| Eccentric Roller Grip - Single Roller | | | | | | |
| ROLLER-7-1A-1 | 1,000 | 100 | 225 | 25mm ø | 50mm | Clevis |
| ROLLER-7-1RA-A | 1,000 | 100 | 225 | 25mm ø | 50mm | Clevis |
| ROLLER-7-5A-1 | 5,000 | 500 | 1,100 | 30mm ø | 50mm | Clevis |
| ROLLER-7-5A-100 | 5,000 | 500 | 1,100 | 30mm ø | 100mm | Clevis |
| ROLLER-7-10S-1 | 10k | 1,000 | 2,200 | 50mm ø | 60mm | Clevis |
| Eccentric Roller Grip - Dual Opposing Rollers | | | | | | |
| ROLLER-766-5S-1 | 5,000 | 500 | 1,100 | 30mm ø | 30mm | Clevis |



ROLLER FIXTURES

Eccentric roller fixtures are self-tightening and ideal for flat samples. Starrett offers a variety of different roller fixtures with various diameters and sample thicknesses.

Eccentric rollers can be supplied with smooth, serrated and rubber surfaces.

Starrett can assist you in selecting the proper roller fixture for your sample.

ROLLER 1kN

ALUMINUM

- For general-purpose tensile testing applications
- Use on soft samples including rubber, foils, paper and plastic film
- Anodized finish
- Operating Temperatures 32° to 266°F (0° to 130°C)

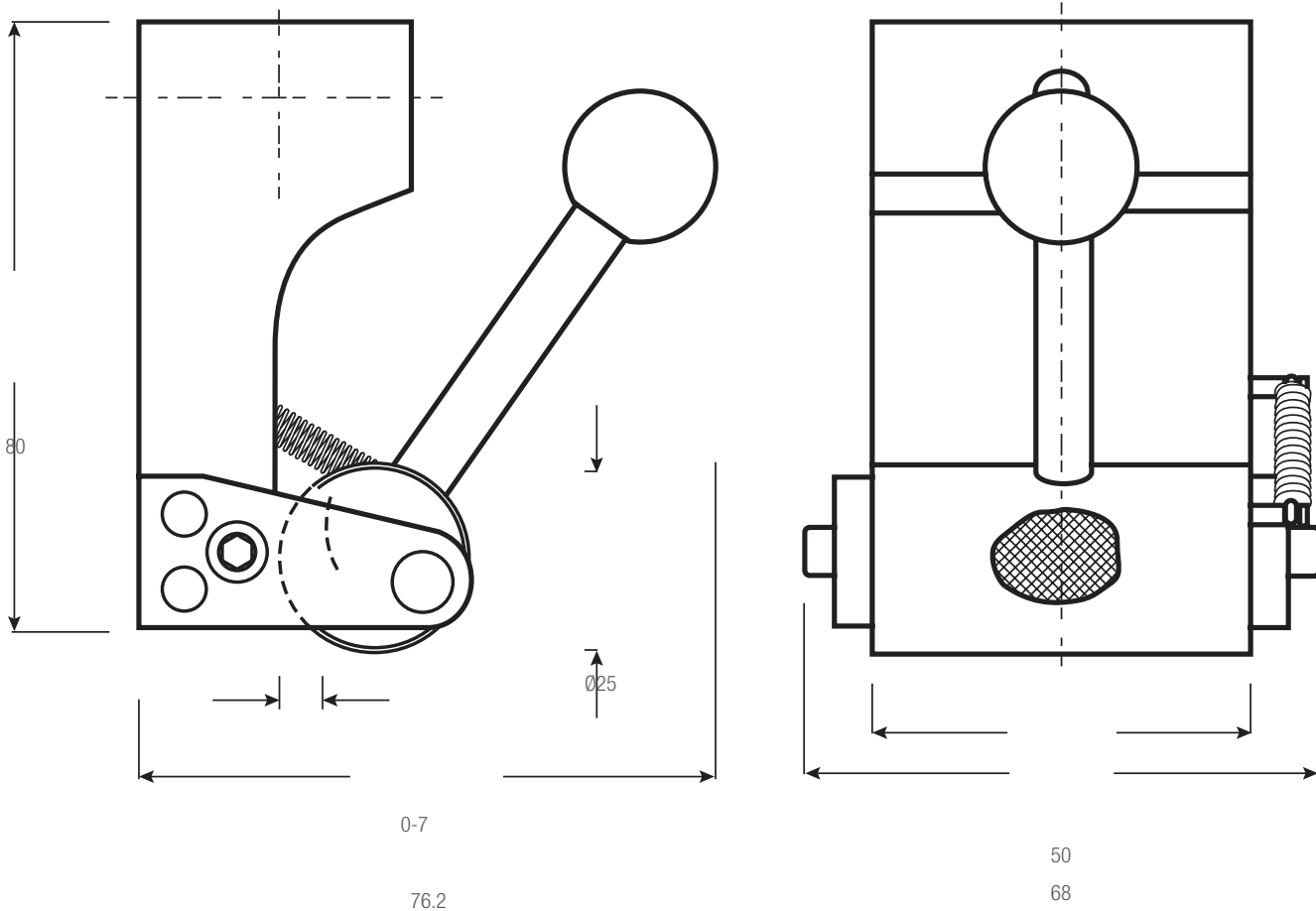


ECCENTRIC ROLLERS

Eccentric Roller Grips

| Model No. | Load Capacity | | | Base Plate Material | Jaw Face Type | Sample Thickness (max) | | Sample Width (Max) | | Weight (each) | | Clevis Type mm | Supply |
|----------------|---------------|-----|-----|---------------------|---------------|------------------------|----|--------------------|----|---------------|-----|----------------|--------|
| | N | KGF | LBF | | | in | mm | in | mm | lbs | kgs | | |
| ROLLER-7-1A-1 | 1,000 | 100 | 225 | Aluminum | Serrated | 0.28 | 7 | 1.97 | 50 | 1.1 | 0.5 | 15.9 | 2 |
| ROLLER-7-1RA-1 | 1,000 | 100 | 225 | Rubber | Smooth | 0.25 | 7 | 1.97 | 50 | 1.1 | 0.5 | 15.9 | 2 |

DIMENSIONS



ROLLER FIXTURES

ROLLER 5kN

ALUMINUM

- For general-purpose tensile testing applications
- Use on soft samples including rubber, foils, paper and plastic film
- Anodized finish
- Operating Temperatures 32° to 266°F (0° to 130°C)

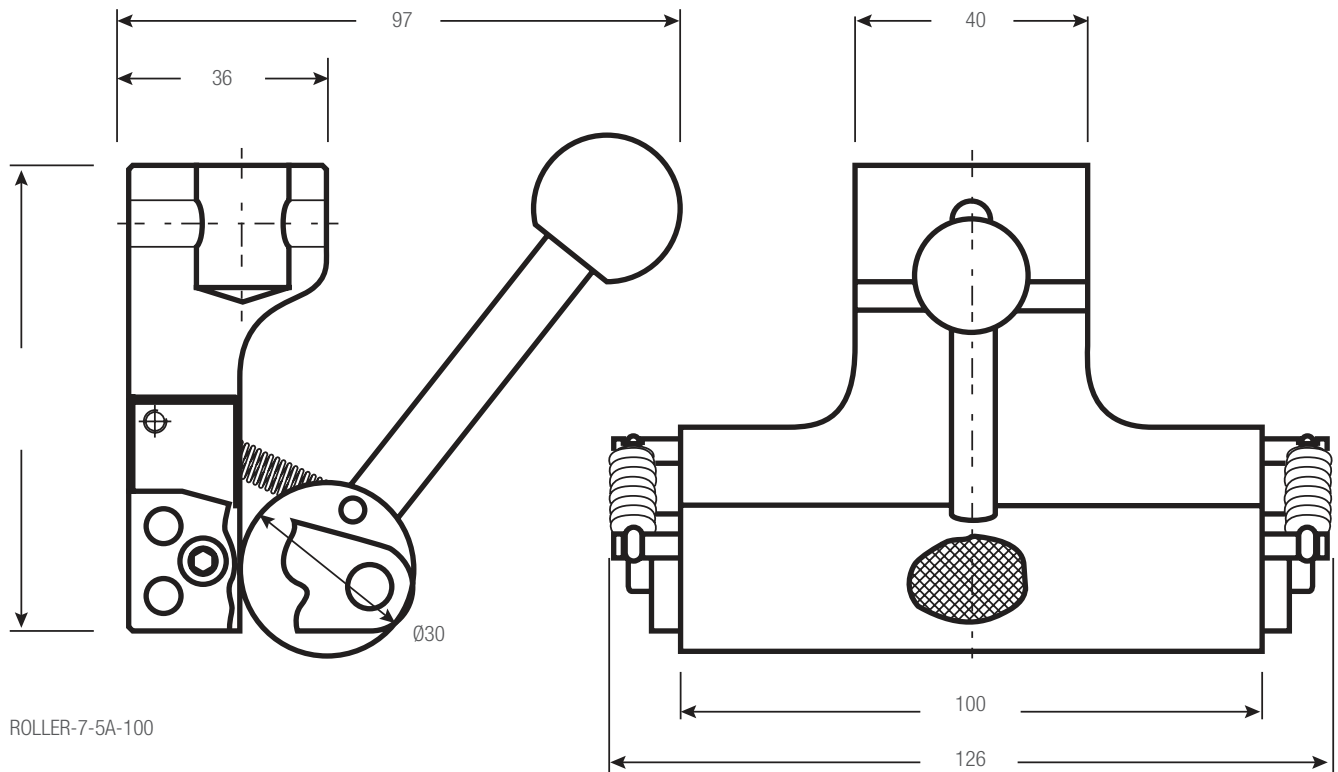


Shown: ROLLER-7-5A-100

Eccentric Roller Grips

| Model No. | Load Capacity | | | Jaw Face Type | Sample Thickness (max) | | Sample Width (Max) | | Weight (each) | | Clevis Type | Supply |
|-----------------|---------------|-----|-------|---------------|------------------------|-----|--------------------|----|---------------|-----|-------------|--------|
| | N | KGF | LBF | | in | mm | in | mm | lbs | kgs | | |
| ROLLER-7-5A-1 | 5,000 | 500 | 1,100 | Serrated | 1.97 | 50 | 0.28 | 7 | 1.6 | 0.7 | 15.9 | 2 |
| ROLLER-7-5A-100 | 5,000 | 500 | 1,100 | Serrated | 3.94 | 100 | 0.28 | 7 | 7.5 | 3.4 | 15.9 | 2 |

DIMENSIONS



ROLLER FIXTURES

ROLLER 10kN

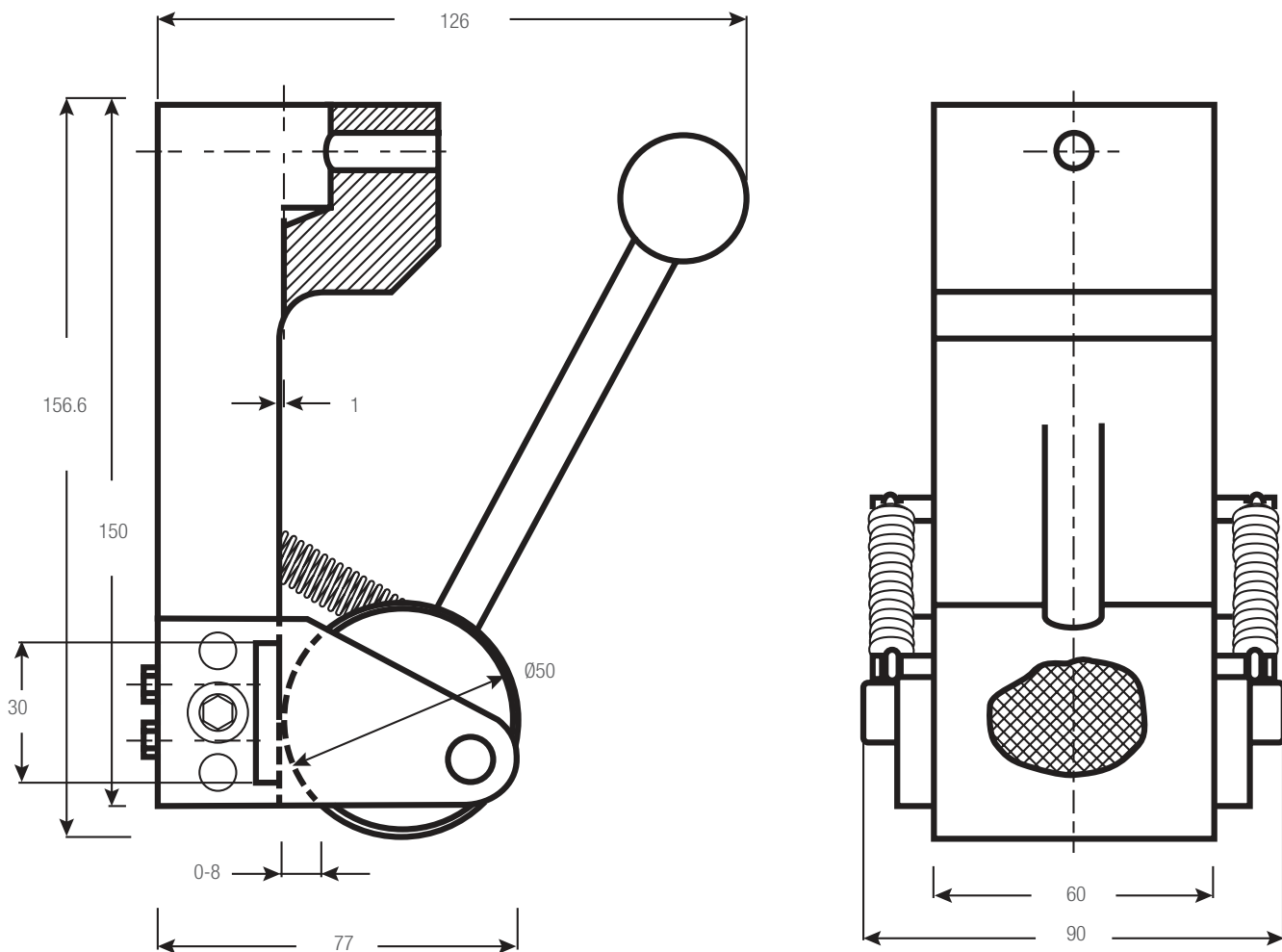
ALUMINUM

- For general-purpose tensile testing applications
- Serrated roller
- Anodized finish
- Operating Temperatures 32° to 266°F (0° to 130°C)



| Eccentric Roller Grips | | | | | | | | | | | | | |
|------------------------|---------------|------|------|---------------|------------------------|----|--------------------|----|---------------|-----|-------------|--------|--|
| Model No. | Load Capacity | | | Jaw Face Type | Sample Thickness (max) | | Sample Width (Max) | | Weight (each) | | Clevis Type | Supply | |
| | N | KGF | LBF | | in | mm | in | mm | lbs | kgs | | | |
| ROLLER-7-10S-1 | 10k | 1000 | 2200 | Serrated | 0.31 | 8 | 2.36 | 60 | 3.3 | 1.5 | 15.9 | 2 | |

DIMENSIONS



ROLLER FIXTURES

ROLLER 5kN

STEEL, NICKEL-PLATED

- For general-purpose tensile testing applications
- Dual-action rollers
- 30mm diameter rollers
- Operating Temperatures 32° to 266°F (0° to 130°C)



Eccentric Roller Grips

| Model No. | Load Capacity | | | Jaw Face Type | Sample Thickness (max) | | Sample Width (max) | | Weight (each) | | Clevis Type mm | Supply |
|-----------------|---------------|-----|------|---------------|------------------------|----|--------------------|----|---------------|-----|----------------|--------|
| | N | KGF | LBF | | in | mm | in | mm | lbs | kgs | | |
| ROLLER-766-5S-1 | 5000 | 500 | 1100 | Serrated | 0.29 | 15 | 1.2 | 30 | 3.1 | 1.4 | 15.9 | 2 |

DIMENSIONS

