



PLATENS

PLATENS

Starrett offers a variety of standard platens for various forms of compression testing. Standard platen types are:

- Circular Platens
- Rectangular Platens
- Perforated Platens for Foam Testing
- Self-aligning Platens for Springs

Starrett platens are made of aluminum or steel. Most of our platens mount using a 15.9mm clevis and are secured with a locking ring and grip pin. We also offer threaded platens which attach using a set screw or adapter screw.

Starrett can also custom-design platens for your specific requirements and applications.



Model No.	Load Capacity			Dimension	Material	Type
	N	KGF	LBF			
Circular Platens						
PLATEN-23A-56-1	20k	2,000	4,500	56mm ø	Aluminium	Clevis
PLATEN-23A-96-1	20k	2,000	4,500	96mm ø	Aluminium	Clevis
PLATEN-23A-116-1	20k	2,000	4,500	116mm ø	Aluminium	Clevis
PLATEN-23A-156-1	20k	2,000	4,500	156mm ø	Aluminium	Clevis
PLATEN-23A-196-1	20k	2,000	4,500	196mm ø	Aluminium	Clevis
PLATEN-23A-246-1	20k	2,000	4,500	246mm ø	Aluminium	Clevis
PLATEN-23A-296-1	20k	2,000	4,500	296mm ø	Aluminium	Clevis
PLATEN-23S-56-1	20k	2,000	4,500	56mm ø	Steel	Clevis
PLATEN-23S-96-1	20k	2,000	4,500	96mm ø	Steel	Clevis
PLATEN-23S-116-1	20k	2,000	4,500	116mm ø	Steel	Clevis
PLATEN-23S-156-1	20k	2,000	4,500	156mm ø	Steel	Clevis
PLATEN-23S-196-1	20k	2,000	4,500	196mm ø	Steel	Clevis
PLATEN-23S-246-1	20k	2,000	4,500	246mm ø	Steel	Clevis
PLATEN-23S-296-1	20k	2,000	4,500	296mm ø	Steel	Clevis
PLATEN-23S-56-3	50k	5,000	11,000	56mm ø	Steel	Clevis
PLATEN-23S-96-3	50k	5,000	11,000	96mm ø	Steel	Clevis
PLATEN-23S-116-3	50k	5,000	11,000	116mm ø	Steel	Clevis
PLATEN-23S-156-3	50k	5,000	11,000	156mm ø	Steel	Clevis
PLATEN-23S-196-3	50k	5,000	11,000	196mm ø	Steel	Clevis
PLATEN-23S-246-3	50k	5,000	11,000	246mm ø	Steel	Clevis
PLATEN-23S-296-3	50k	5,000	11,000	296mm ø	Steel	Clevis
MLX-PLATE-TA-50	1500	150	330	50mm ø	Aluminium	M6
MLX-PLATE-TS-100	2500	250	550	100mm ø	Steel	M10
Rectangular Platens						
PLATEN-36A-50-1	20k	2,000	4,500	50 x 50mm	Aluminium	Clevis
PLATEN-36A-100-1	20k	2,000	4,500	100 x 100mm	Aluminium	Clevis
PLATEN-36A-120-1	20k	2,000	4,500	120 x 120mm	Aluminium	Clevis
PLATEN-36A-150-1	20k	2,000	4,500	150 x 150mm	Aluminium	Clevis
PLATEN-36A-200-1	20k	2,000	4,500	200 x 200mm	Aluminium	Clevis
PLATEN-36A-250-1	20k	2,000	4,500	250 x 250mm	Aluminium	Clevis
PLATEN-36A-300-1	20k	2,000	4,500	300 x 300mm	Aluminium	Clevis
PLATEN-36A-400-1	20k	2,000	4,500	400 x 400mm	Aluminium	Clevis
PLATEN-36S-100-1	20k	2,000	4,500	100 x 100mm	Steel	Clevis
PLATEN-36S-196-1	20k	2,000	4,500	196 x 196mm	Steel	Clevis
PLATEN-36S-246-1	20k	2,000	4,500	246 x 246mm	Steel	Clevis
PLATEN-36S-296-1	20k	2,000	4,500	296 x 296mm	Steel	Clevis
PLATEN-36S-396-1	20k	2,000	4,500	396 x 396mm	Steel	Clevis
Perforated Platens for Foam						
PLATEN-36LA-150-1	20k	2,000	4,500	150 x 150mm	Aluminium	Clevis
PLATEN-36LA-200-1	20k	2,000	4,500	200 x 200mm	Aluminium	Clevis
PLATEN-36LA-400-1	20k	2,000	4,500	400 x 400	Aluminium	Clevis
Self-Aligning Platens for Springs						
PLATEN-223S-56-1	20k	2,000	4,500	56mm ø	Steel	Clevis
PLATEN-223S-96-1	20k	2,000	4,500	96mm ø	Steel	Clevis
PLATEN-223S-116-1	20k	2,000	4,500	116mm ø	Steel	Clevis
PLATEN-223S-156-1	20k	2,000	4,500	156mm ø	Steel	Clevis

IMPORTANT

The standard clevis diameter is 15.9mm. This clevis is suitable for load capacities up to 30kN (6600lbf). Aluminium and steel platens may be used up to 20kN except where noted.

If higher capacities are required (50kN), the clevis diameter must be 31.8mm.

CIRCULAR PLATENS

These general purpose compression platens are available in aluminum or steel. They mount to a 15.9mm clevis and are secured with a locking ring and grip pin.

ALUMINUM

- For compression testing applications on soft materials
- Surface has concentric grooves
- Anodized finish
- Operating Temperatures -94° to 356°F (-70° to 180°C)

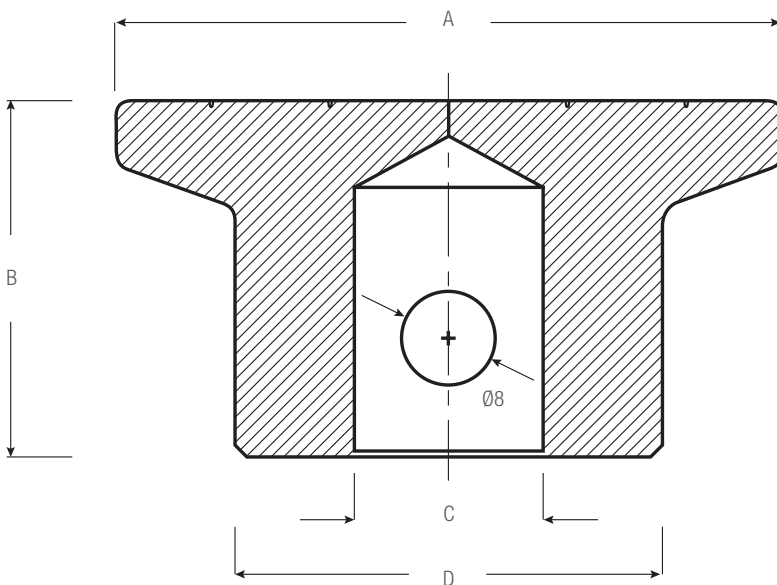


PLATENS

Model No.	Load Capacity			Diameter ϕ		Weight (each)		Clevis Type mm	Supply
	N	KGf	LBF	in	mm	lbs	kgs		
PLATEN-23A-56-1	20,000	2,000	4,500	2.2	56	0.2	0.1	15.9	2
PLATEN-23A-96-1	20,000	2,000	4,500	3.8	96	0.7	0.3	15.9	2
PLATEN-23A-116-1	20,000	2,000	4,500	4.6	116	0.9	0.4	15.9	2
PLATEN-23A-156-1	20,000	2,000	4,500	6.2	156	1.3	0.6	15.9	2
PLATEN-23A-196-1 ¹	20,000	2,000	4,500	7.7	196	2.7	1.2	15.9	2
PLATEN-23A-246-1 ¹	20,000	2,000	4,500	9.7	246	3.3	1.5	15.9	2
PLATEN-23A-296-1 ¹	20,000	2,000	4,500	11.6	296	7.3	3.3	15.9	2

Note 1: Platen cannot be used on Starrett single column test frame. Use on Starrett dual column test frames only.

DIMENSIONS



Circular Platens- Aluminum				
Model No.	A	B	C	D
PLATEN-23A-56-1	56mm	36mm	15.9mm	34mm
PLATEN-23A-96-1	96mm	36mm	15.9mm	34mm
PLATEN-23A-116-1	116mm	36mm	15.9mm	34mm
PLATEN-23A-156-1	156mm	36mm	15.9mm	34mm
PLATEN-23A-196-1 ¹	196mm	36mm	15.9mm	34mm
PLATEN-23A-246-1 ¹	246mm	36mm	15.9mm	34mm
PLATEN-23A-296-1 ¹	296mm	36mm	15.9mm	34mm

Note¹: Platen cannot be used on Starrett single column test frame. Use on Starrett dual column test frames only.

CIRCULAR PLATENS

STEEL

- For compression testing applications on hard materials 58 HRC
- Surface has concentric grooves
- Black Phosphate finish
- Operating Temperatures 0° to 350°C (32° to 662°F)

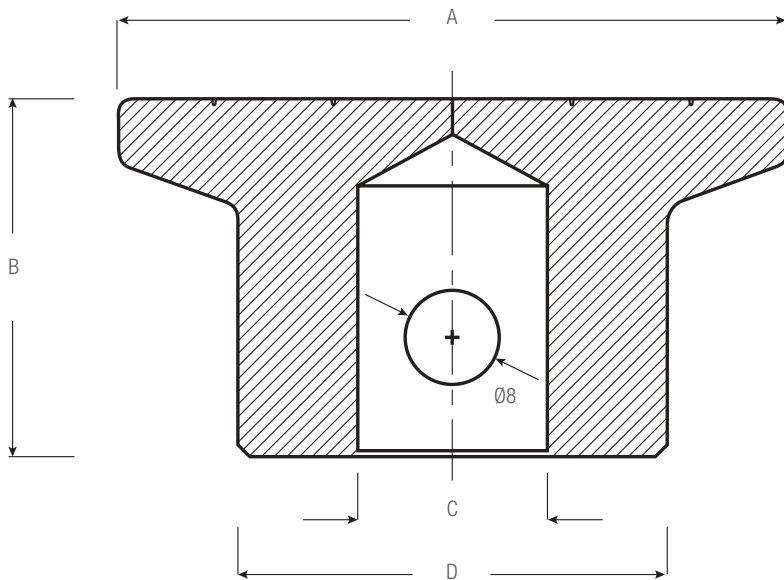


Circular Platens- Steel

Model No.	Load Capacity			Diameter ϕ		Weight (each)		Clevis Type mm	Supply
	N	KGf	LBF	in	mm	lbs	kgs		
PLATEN-23S-56-1	20,000	2,000	4,500	2.2	56	0.7	0.3	15.9	2
PLATEN-23S-96-1	20,000	2,000	4,500	3.8	96	1.6	0.7	15.9	2
PLATEN-23S-116-1	20,000	2,000	4,500	4.6	116	2.4	1.1	15.9	2
PLATEN-23S-156-1	20,000	2,000	4,500	6.2	156	3.5	1.6	15.9	2
PLATEN-23S-196-1	20,000	2,000	4,500	7.7	196	8.8	4	15.9	2
PLATEN-23S-246-1 ¹	20,000	2,000	4,500	9.7	246	9.5	4.3	15.9	2
PLATEN-23S-296-1 ¹	20,000	2,000	4,500	11.6	296	19.9	9	15.9	2
PLATEN-23S-56-3	50,000	5,000	11,000	2.2	56	0.7	0.3	31.8	2
PLATEN-23S-96-3	50,000	5,000	11,000	3.8	96	1.6	0.7	31.8	2
PLATEN-23S-116-3	50,000	5,000	11,000	4.6	116	2.4	1.1	31.8	2
PLATEN-23S-156-3	50,000	5,000	11,000	6.2	156	3.5	1.6	31.8	2
PLATEN-23S-196-3	50,000	5,000	11,000	7.7	196	8.8	4	31.8	2
PLATEN-23S-246-3 ¹	50,000	5,000	11,000	9.7	246	9.5	4.3	31.8	2
PLATEN-23S-296-3 ¹	50,000	5,000	11,000	11.6	296	19.9	9	31.8	2

Note¹: Platen cannot be used on Starrett single column test frame. Use on Starrett dual column test frames only.

DIMENSIONS



Circular Platens- Steel

Model No.	A	B	C	D
PLATEN-23S-56-1	56mm	36mm	15.9mm	34mm
PLATEN-23S-96-1	96mm	36mm	15.9mm	34mm
PLATEN-23S-116-1	116mm	36mm	15.9mm	34mm
PLATEN-23S-156-1	156mm	36mm	15.9mm	34mm
PLATEN-23S-196-1 ¹	196mm	36mm	15.9mm	34mm
PLATEN-23S-246-1 ¹	246mm	36mm	15.9mm	34mm
PLATEN-23S-296-1 ¹	296mm	36mm	15.9mm	34mm
PLATEN-23S-56-3	56mm	36mm	31.8mm	34mm
PLATEN-23S-96-3	96mm	36mm	31.8mm	34mm
PLATEN-23S-116-3	116mm	36mm	31.8mm	34mm
PLATEN-23S-156-3	156mm	36mm	31.8mm	34mm
PLATEN-23S-196-3 ¹	196mm	36mm	31.8mm	34mm
PLATEN-23S-246-3 ¹	246mm	36mm	31.8mm	34mm
PLATEN-23S-296-3 ¹	296mm	36mm	31.8mm	34mm

Note¹: Platen cannot be used on Starrett single column test frame. Use on Starrett dual column test frames only.

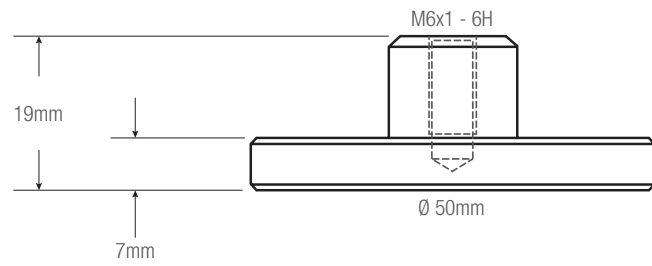
CIRCULAR PLATENS

ALUMINUM

- For compression testing applications on soft materials
- Surface is smooth
- Anodized finish
- Operating Temperatures -94° to 356°F (-70° to 180°C)



DIMENSIONS



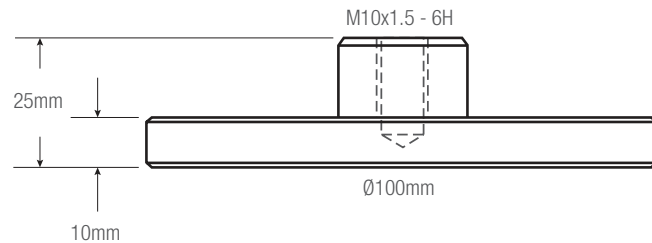
Circular Platens - Aluminum										
Model No.	Load Capacity			Diameter ϕ		Weight (each)		Thread mm	Supply	
	N	KGF	LBF	in	mm	lbs	kgs			
MLX-PLATE-TA-50	1,500	150	330	1.97	50	0.2	0.1	M6 x 1-6H	1	

STEEL

- For compression testing applications on hard materials
- Surface is smooth
- Nickel plate finish
- Operating Temperatures -94° to 356°F (-70° to 180°C)



DIMENSIONS



Circular Platens - Steel										
Model No.	Load Capacity			Diameter ϕ		Weight (each)		Thread mm	Supply	
	N	KGF	LBF	in	mm	lbs	kgs			
MLX-PLATE-TS-100	2,500	250	550	3.94	100	0.7	0.3	M10 x 1.5-6H	1	

RECTANGULAR PLATENS

These general purpose compression platens are available in aluminum or steel. They mount to a 15.9mm clevis and are secured with a locking ring and grip pin.

ALUMINUM

- For compression testing applications on soft materials
- Surface has concentric grooves
- Anodized finish
- Operating Temperatures -94° to 356°F (-70° to 180°C)



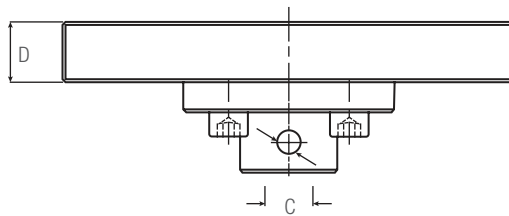
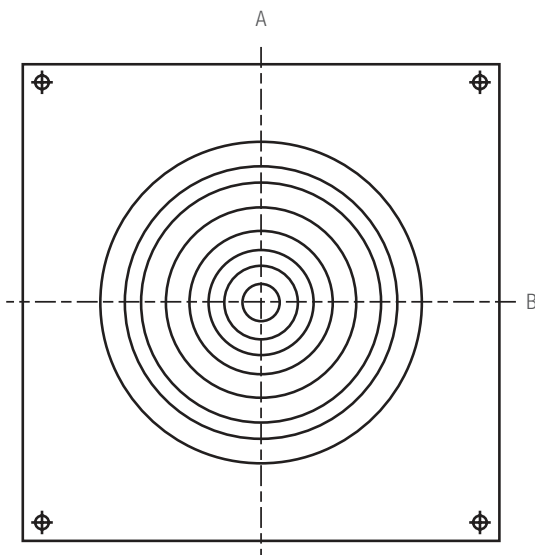
Grip pins provided with each grip standard

Rectangular Platens - Aluminum

Model No.	Load Capacity			Dimensions		Weight (each)		Clevis Type mm	Supply
	N	KGf	LBF	in	mm	lbs	kgs		
PLATEN-36A-50-1	20,000	2,000	4,500	1.96 x 1.96	50 x 50	0.5	0.2	15.9	2
PLATEN-36A-100-1	20,000	2,000	4,500	3.9 x 3.9	100 x 100	1.3	0.6	15.9	2
PLATEN-36A-120-1	20,000	2,000	4,500	4.7 x 4.7	120 x 120	1.8	0.8	15.9	2
PLATEN-36A-150-1	20,000	2,000	4,500	5.9 x 5.9	150 x 150	2.9	1.3	15.9	2
PLATEN-36A-200-1	20,000	2,000	4,500	7.9 x 7.9	200 x 200	4.6	2.1	15.9	2
PLATEN-36A-250-1 ¹	20,000	2,000	4,500	9.8 x 9.8	250 x 250	7.5	3.4	15.9	2
PLATEN-36A-300-1 ¹	20,000	2,000	4,500	11.8 x 11.8	300 x 300	9.7	4.4	15.9	2
PLATEN-36A-400-1 ¹	20,000	2,000	4,500	15.7 x 15.7	400 x 400	19.2	8.7	15.9	2

Note¹: Platen cannot be used on Starrett single column test frame. Use on Starrett dual column test frames only.

DIMENSIONS



Rectangular Platens - Aluminum

Model No.	A	B	C	D
PLATEN-36A-50-1	50mm	50mm	15.9mm	10mm
PLATEN-36A-100-1	100mm	100mm	15.9mm	20mm
PLATEN-36A-120-1	120mm	120mm	15.9mm	20mm
PLATEN-36A-150-1	150mm	150mm	15.9mm	20mm
PLATEN-36A-200-1	200mm	200mm	15.9mm	20mm
PLATEN-36A-250-1	250mm	250mm	15.9mm	20mm
PLATEN-36A-300-1	300mm	300mm	15.9mm	20mm
PLATEN-36A-400-3	400mm	400mm	15.9mm	20mm

RECTANGULAR PLATENS

STEEL

- For compression testing applications on hard materials 58 HRC
- Surface has concentric grooves
- Black Phosphate finish
- Operating Temperatures 0° to 350°C (32° to 662°F)



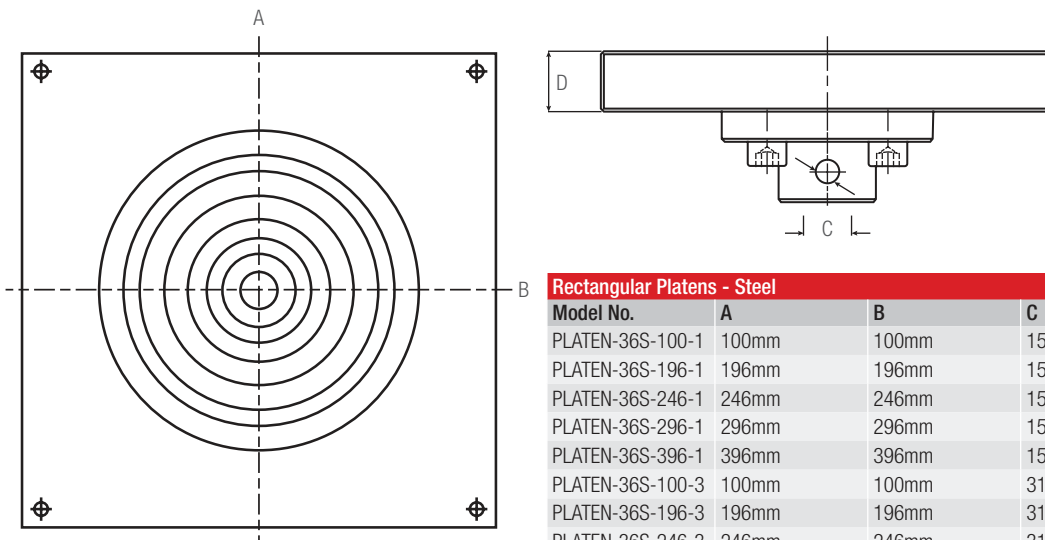
PLATENS

Rectangular Platens - Steel

Model No.	Load Capacity			Dimensions		Weight (each)		Clevis Type mm	Supply
	N	KGF	LBF	in	mm	lbs	kgs		
PLATEN-36S-100-1	20,000	2,000	4,500	3.9 x 3.9	100 x 100	3.5	1.6	15.9	1
PLATEN-36S-196-1	20,000	2,000	4,500	7.7 x 7.7	196 x 196	14.6	6.6	15.9	1
PLATEN-36S-246-1 ¹	20,000	2,000	4,500	9.7 x 9.7	246 x 246	22.9	10.4	15.9	1
PLATEN-36S-296-1 ¹	20,000	2,000	4,500	11.7 x 11.7	296 x 296	30	13.6	15.9	1
PLATEN-36S-396-1 ¹	20,000	2,000	4,500	15.6 x 15.6	396 x 396	72.8	33	15.9	1
PLATEN-36S-100-3	50,000	5,000	11,000	3.9 x 3.9	100 x 100	3.5	1.6	31.8	1
PLATEN-36S-196-3	50,000	5,000	11,000	7.7 x 7.7	196 x 196	14.6	6.6	31.8	1
PLATEN-36S-246-3 ¹	50,000	5,000	11,000	9.7 x 9.7	246 x 246	22.9	10.4	31.8	1
PLATEN-36S-296-3 ¹	50,000	5,000	11,000	11.7 x 11.7	296 x 296	30	13.6	31.8	1
PLATEN-36S-396-3 ¹	50,000	5,000	11,000	15.6 x 15.6	396 x 396	72.8	33	31.8	1

Note¹: Platen cannot be used on Starrett single column test frame. Use on Starrett dual column test frames only.

DIMENSIONS



Rectangular Platens - Steel				
Model No.	A	B	C	D
PLATEN-36S-100-1	100mm	100mm	15.9mm	20mm
PLATEN-36S-196-1	196mm	196mm	15.9mm	20mm
PLATEN-36S-246-1	246mm	246mm	15.9mm	20mm
PLATEN-36S-296-1	296mm	296mm	15.9mm	20mm
PLATEN-36S-396-1	396mm	396mm	15.9mm	20mm
PLATEN-36S-100-3	100mm	100mm	31.8mm	20mm
PLATEN-36S-196-3	196mm	196mm	31.8mm	20mm
PLATEN-36S-246-3	246mm	246mm	31.8mm	20mm
PLATEN-36S-296-3	296mm	296mm	31.8mm	20mm
PLATEN-36S-396-3	396mm	396mm	31.8mm	20mm

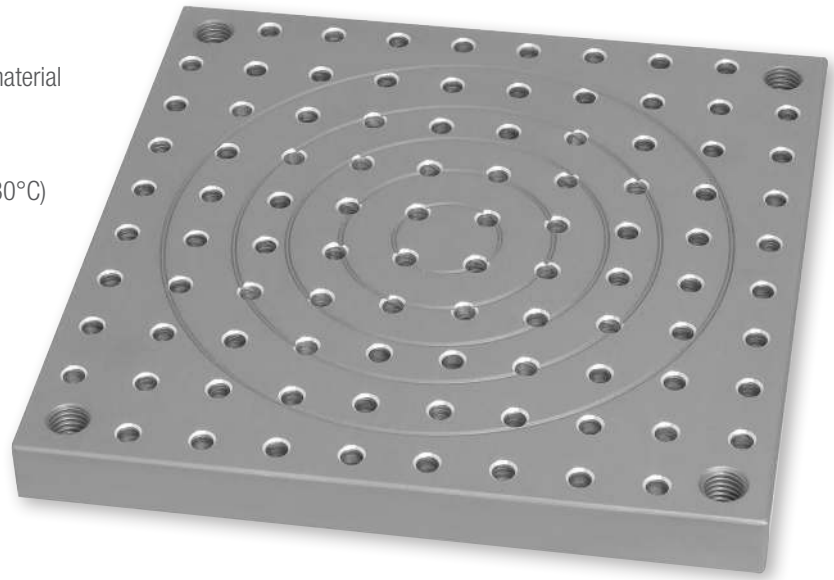
RECTANGULAR PLATENS

PERFORATED PLATENS

These rectangular compression platens are ideal for testing foam. These platens have 6mm holes every 20mm that allow air to escape during compression. They mount to a 15.9mm clevis and are secured with a locking ring and grip pin.

ALUMINUM

- For compression testing applications on foam material
- Surface has 6mm holes every 20mm
- Anodized finish
- Operating Temperatures 32° to 356°F (0° to 180°C)

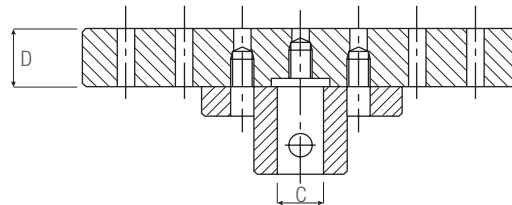
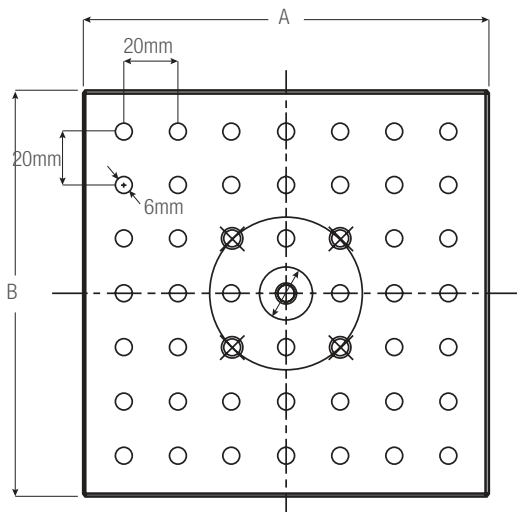


Rectangular Platens - Aluminum

Model No.	Load Capacity			Dimensions		Weight (each)		Clevis Type mm	Supply
	N	KGF	LBF	in	mm	lbs	kgs		
PLATEN-36LA-150-1	20,000	2,000	4,500	5.9 x 5.9	150 x 150	2.5	1.1	15.9	1
PLATEN-36LA-200-1	20,000	2,000	4,500	7.9 x 7.9	200 x 200	4.4	2	15.9	1
PLATEN-36LA-400-1 ¹	20,000	2,000	4,500	15.8 x 15.8	400 x 400	18.1	8.2	15.9	1

Note¹: Platen cannot be used on Starrett single column test frame. Use on Starrett dual column test frames only.

DIMENSIONS



Rectangular Platens - Aluminum

Model No.	A	B	C	D
PLATEN-36LA-150-1	150mm	150mm	15.9mm	20mm
PLATEN-36LA-200-1	200mm	200mm	15.9mm	20mm
PLATEN-36LA-400-1	400mm	400mm	15.9mm	20mm

SELF-ALIGNMENT PLATENS

These specialty circular platens are ideal for compression samples that may not be parallel to the test datum. These platens are self-aligning where the platen adjusts to the sample's surfaces to ensure parallel and perpendicular axial loading. These platen may be set in a fixed position if required. They mount to a 15.9mm clevis and are secured with a locking ring and grip pin.

STEEL

- For compression testing applications where sample parallelism is a problem
- Self-aligning or fixed positioning
- Surface has smooth finished
- Phosphate coating
- Operating Temperatures -0° to 280°C (32° to 536°F)

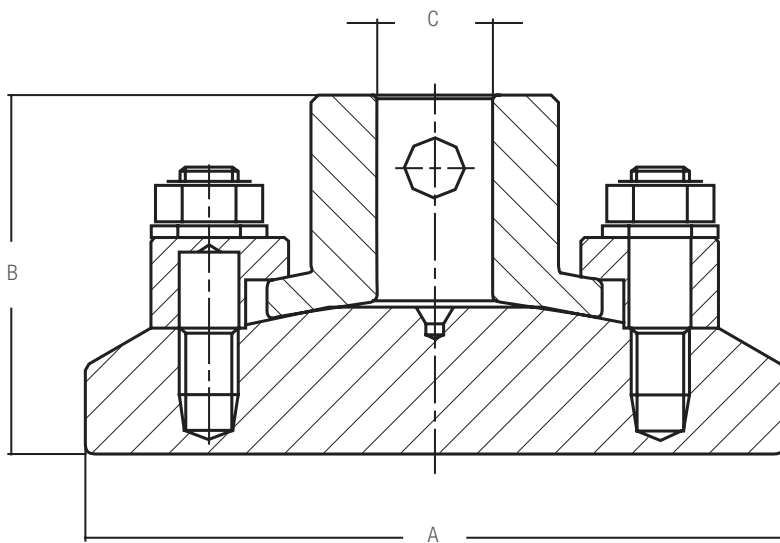


PLATENS

Self-Aligning Circular Platens- Steel									
Model No.	Load Capacity			Diameter ϕ		Weight (each)		Clevis Type mm	Supply
	N	KGF	LBF	in	mm	lbs	kgs		
PLATEN-223S-56-1	20,000	2,000	4,500	2.2	56	3	1.3	15.9	1
PLATEN-223S-96-1	20,000	2,000	4,500	3.8	96	3.3	1.5	15.9	1
PLATEN-223S-116-1	20,000	2,000	4,500	4.6	116	4	1.8	15.9	1
PLATEN-223S-156-1	20,000	2,000	4,500	6.2	156	6.5	2.8	15.9	1
PLATEN-223S-246S-1	20,000	2,000	4,500	9.6	246	11	5	15.9	1

The maximum load for the standard 15.9mm is 20kN.

DIMENSIONS



Self-Aligning Circular Platens - Steel			
Model No.	A	B	C
PLATEN-223S-56-1	56mm	49mm	15.9mm
PLATEN-223S-96-1	96mm	49mm	15.9mm
PLATEN-223S-116-1	116mm	49mm	15.9mm
PLATEN-223S-156-1	156mm	49mm	15.9mm
PLATEN-223S-246-1	246mm	49mm	15.9mm